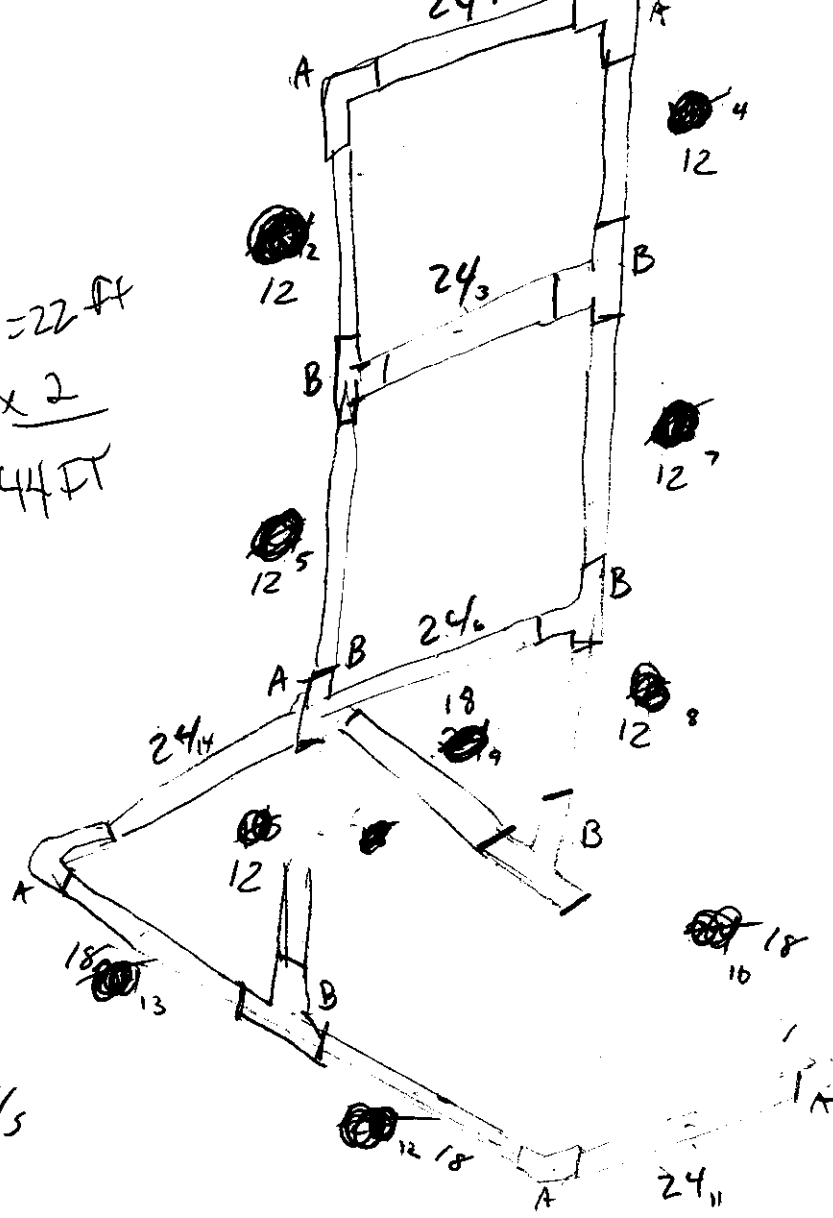


$5 \times 24 = 120$ ✓
 $6 \times 12 = 72$
 $4 \times 18 = 72$
 $\frac{264}{12} = 22 \text{ ft}$
 $\times 2$
 44 FT
 $5 / 10 \text{ ft}$



PVC cement
 Different color
 Elec Tape
 Rope / Golf Balls

$\text{L-shape} = 6 \times 2 = 12$

$\text{T-shape} = 6 \times 2 = 12$

360 in
 30 ft

$9 \times 24 = 216$
 $6 \times 18 = 108$
 $\frac{324}{12} = 27$

1"
 $3/4$ "
 PVC